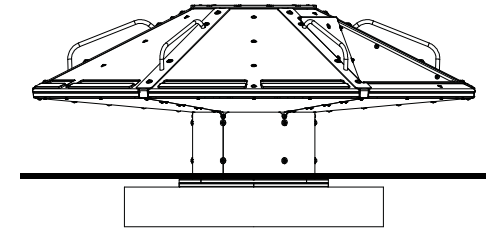
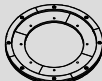

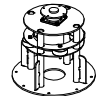
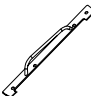
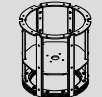

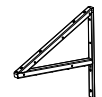
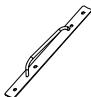
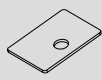


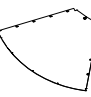

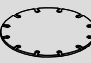








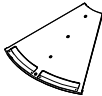





OM

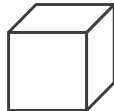



www.hags.com/installs/spinr2


1	71701020		1x Ø750 x 42	7.34kg	13	71702002		8x 447 x 66 x 15	0.25kg
2	71701003		1x Ø559 x 509	42.59kg	14	71703010		2x 893 x 104 x 90	2.69kg
3	71701004		1x Ø610 x 629	60.93kg	15	71703011		2x 893 x 104 x 90	2.69kg
4	71703001		6x 833 x 823 x 50	9.60kg	16	71703009		2x 893 x 104 x 90	3.42kg
5	71704047		6x 80 x 55 x 3	0.10kg	17	71704033		2x 615 x 348 x 308	4.14kg
6	71703004		2x 1063 x 836 x 476	15.14kg	18	71704044		6x 1092 x 833 x 1.6	7.30kg
7	71703002		4x 1063 x 835 x 426	8.63kg	19	71702007		1x Ø630 x 15	4.37kg
8	71702003		2x 1009 x 568 x 8	4.42kg	20	71704048		8x M12x125_8.8	0.13kg
9	71702005		2x 355 x 144 x 15	0.36kg	21	10291000		144x M10_B_Ø11 x Ø21 x 1_A2	0.002kg
10	71702004		2x 531 x 460 x 15	1.92kg	22	10261000		56x M10_A2	0.01kg
11	71702006		2x 1065 x 193 x 15	1.07kg	23	10309999		52x M10_Ø10.5 x Ø30 x 2.5_A2	0.01kg
12	71702001		4x 1067 x 931 x 15	8.19kg	24	10123810		16x 0.375"x1" _A2_7/32"	0.02kg

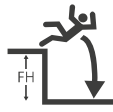
25	10290601		54x M6_Ø6.6 x Ø22 x 2_A2	0.005kg
26	10120625		54x M6x25_A2_TX30	0.01kg
27	10251080		26x M10x80_A2	0.06kg
28	10121080		14x M10x80_A2_TX45	0.06kg
29	10121025		22x M10x25_A2_TX45	0.02kg
30	10121030		62x M10x30_A2_TX45	0.03kg
31	8008687		4x Screw, thr-form PT-7x16-WN1451-St	0.0074kg
32	10050520		16x Ø5x20_10.9	0.004kg
33	10290600		18x M6_C_Ø6.4 x Ø12.6 x 1_A2	0.001kg
34	8027762		18x M6x25-8.8-(ISO7380)	0.006kg

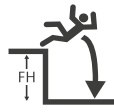
S12

 kg
 367kg


S15

 L x W x H (m)
 2.2 x 2.2 x 0.9


S13

 m³
 0.27m³

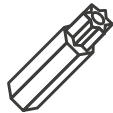
S14

 m²
 7.5 x 7.5

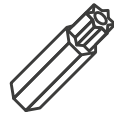
S6

 EN1176
 1m

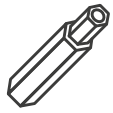
S8

 ASTM F1487
 0.87m

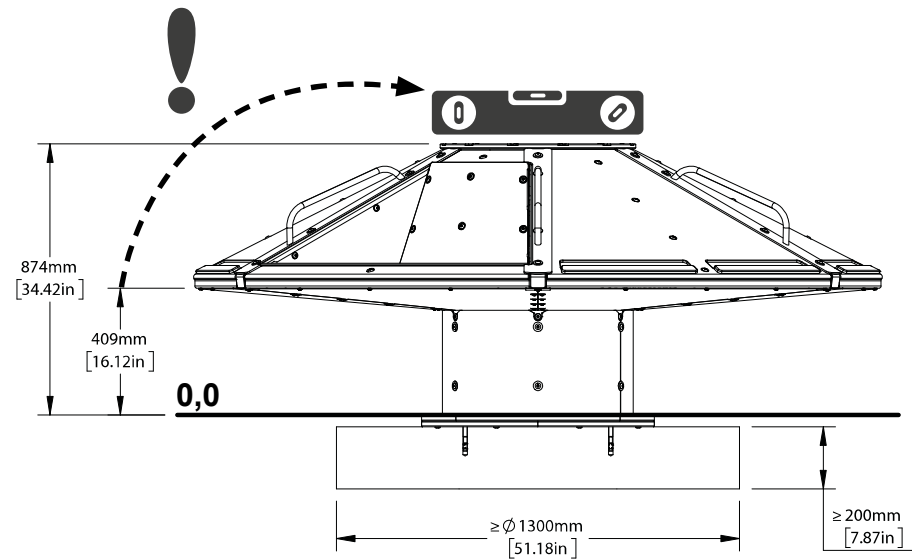
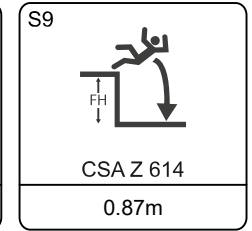
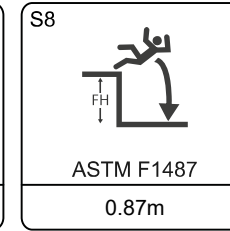
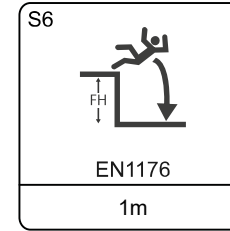
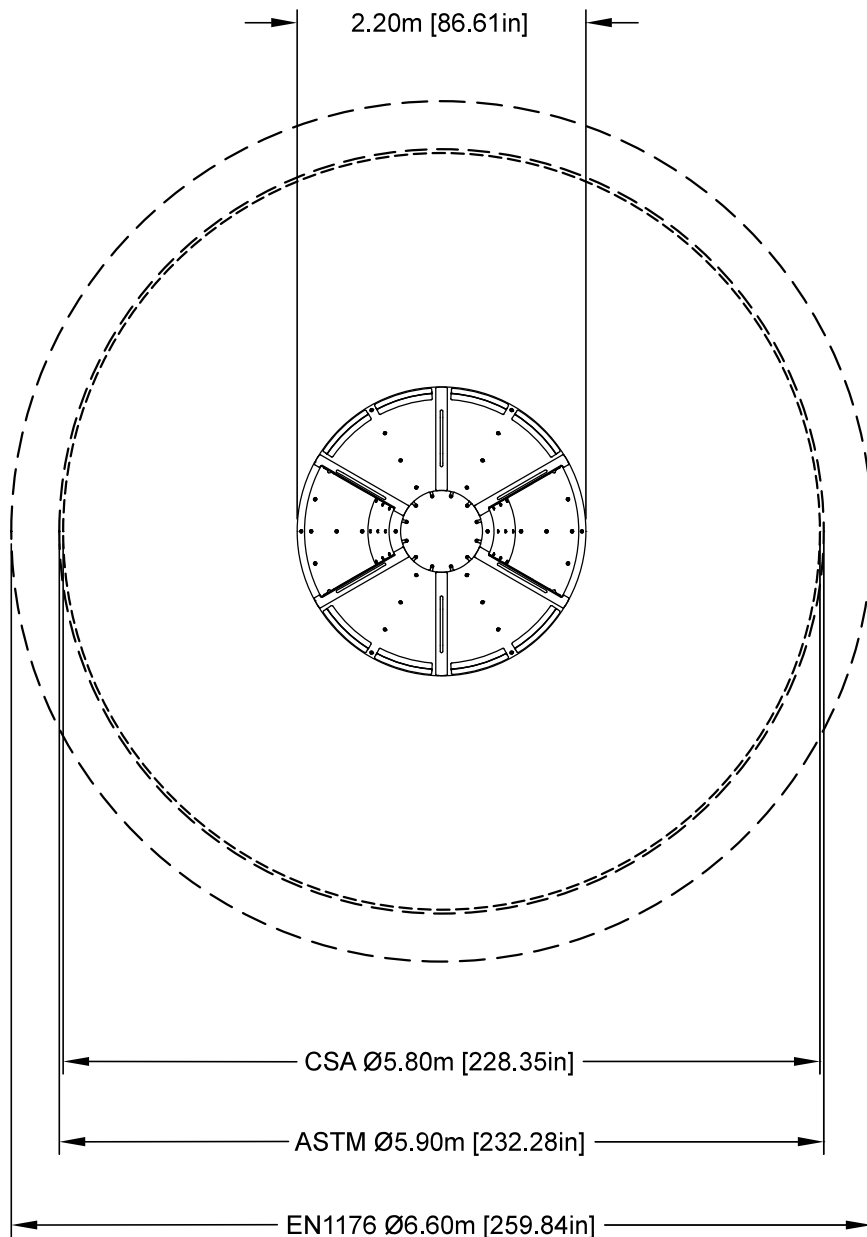
S9

 CSA Z 614
 0.87m

S20

 3 X 8


S24

 10121000 (TX45 / M10)


S24

 10120600 (TX30 / M6)

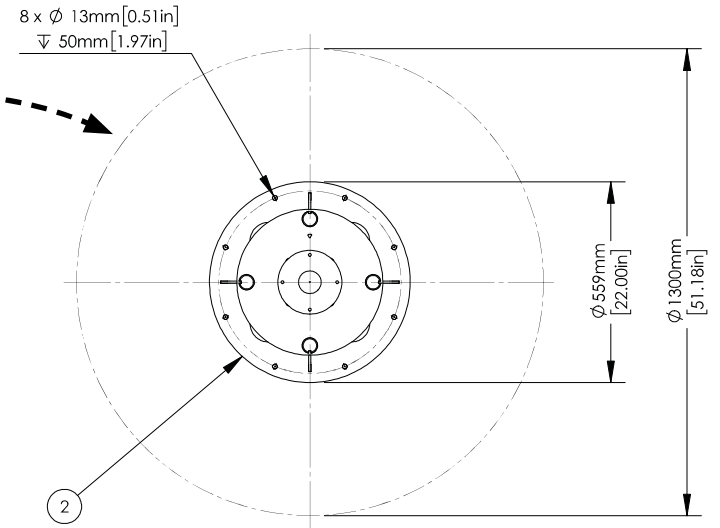
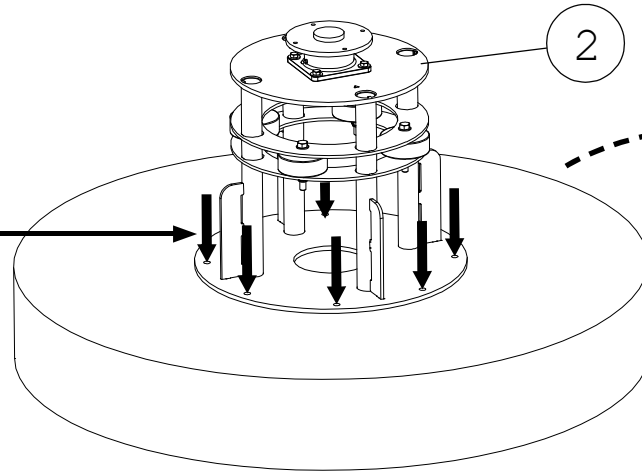
S23

 10127032 (7 / 32")




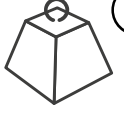
A

S10

 (x8)
 mm
 Ø13mm

S16

 mm
 50mm





S22


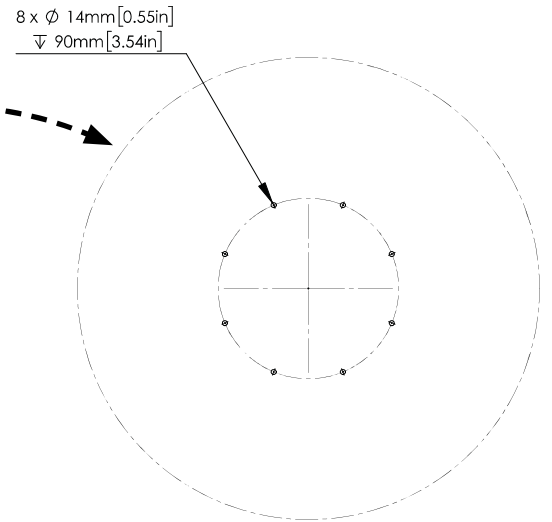
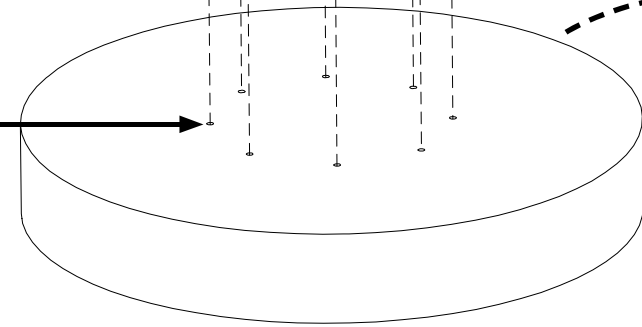
S12

 kg
 43kg








B

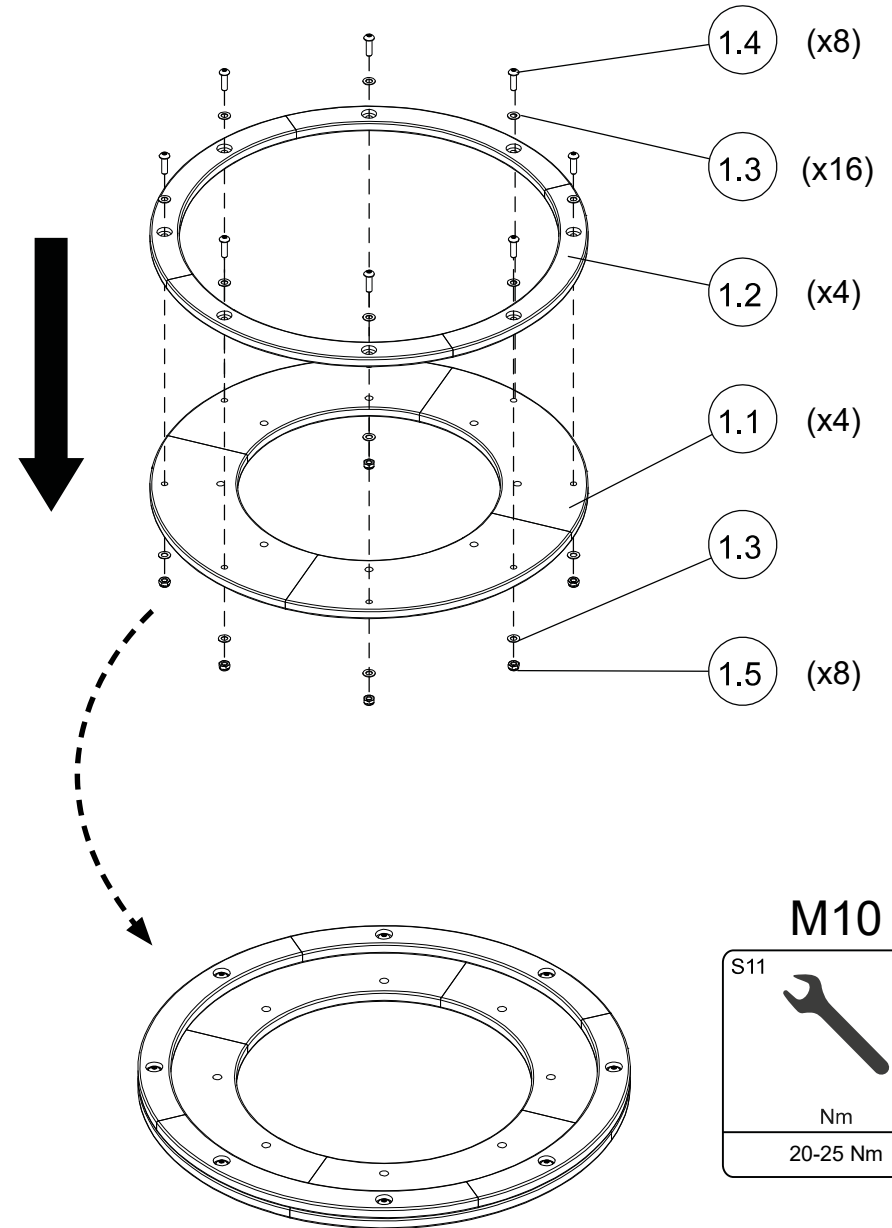
S10

 (x8)
 mm
 Ø14mm

S16

 mm
 90mm



2 ~ 71701020

1.1	71702012		4x 531 x 216 x 19	1.26kg
1.2	71702014		4x 531 x 146 x 19	0.48kg
1.3	10291000		16x M10_B_11x21x1_A2	0.002kg
1.4	10121035		8x M10x35_A2_TX45	0.03kg
1.5	10261000		8x M10_A2	0.01kg



S22

S12

kg
43kg

S13

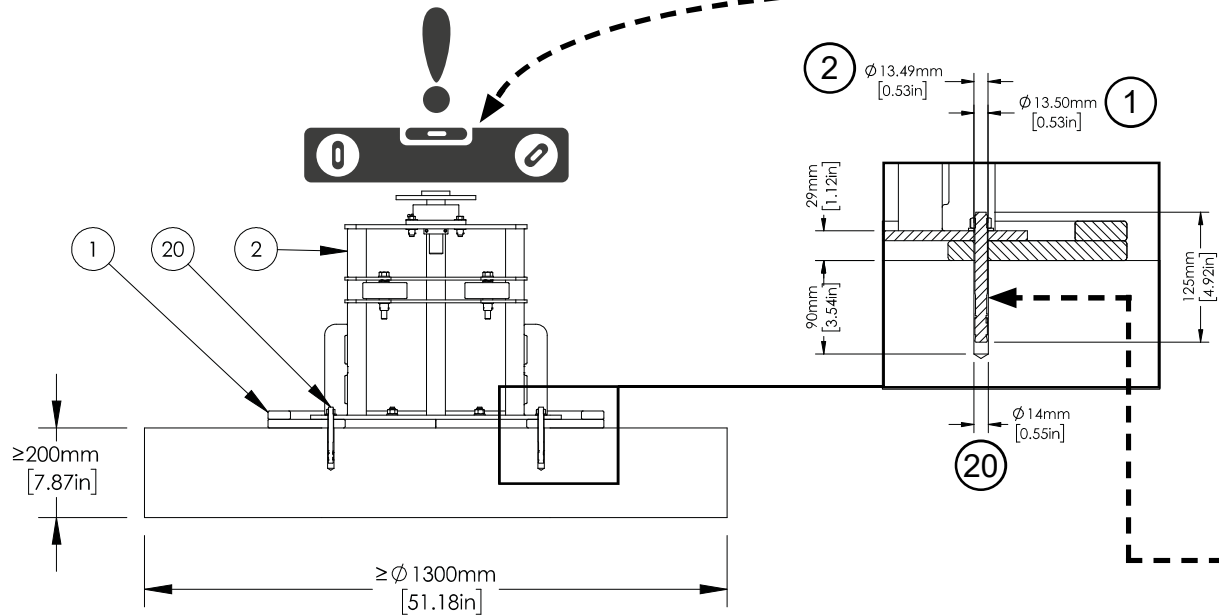
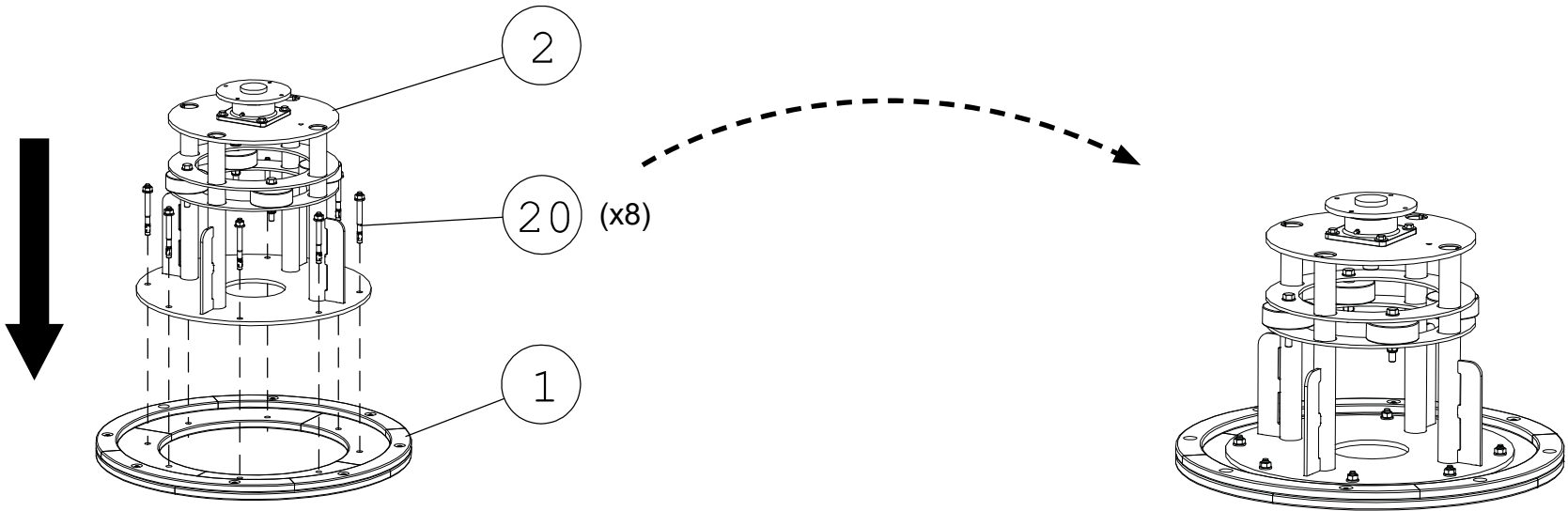
m³
0.27m³

S25

S1 - S3
≥C20-25

2 x 24

101

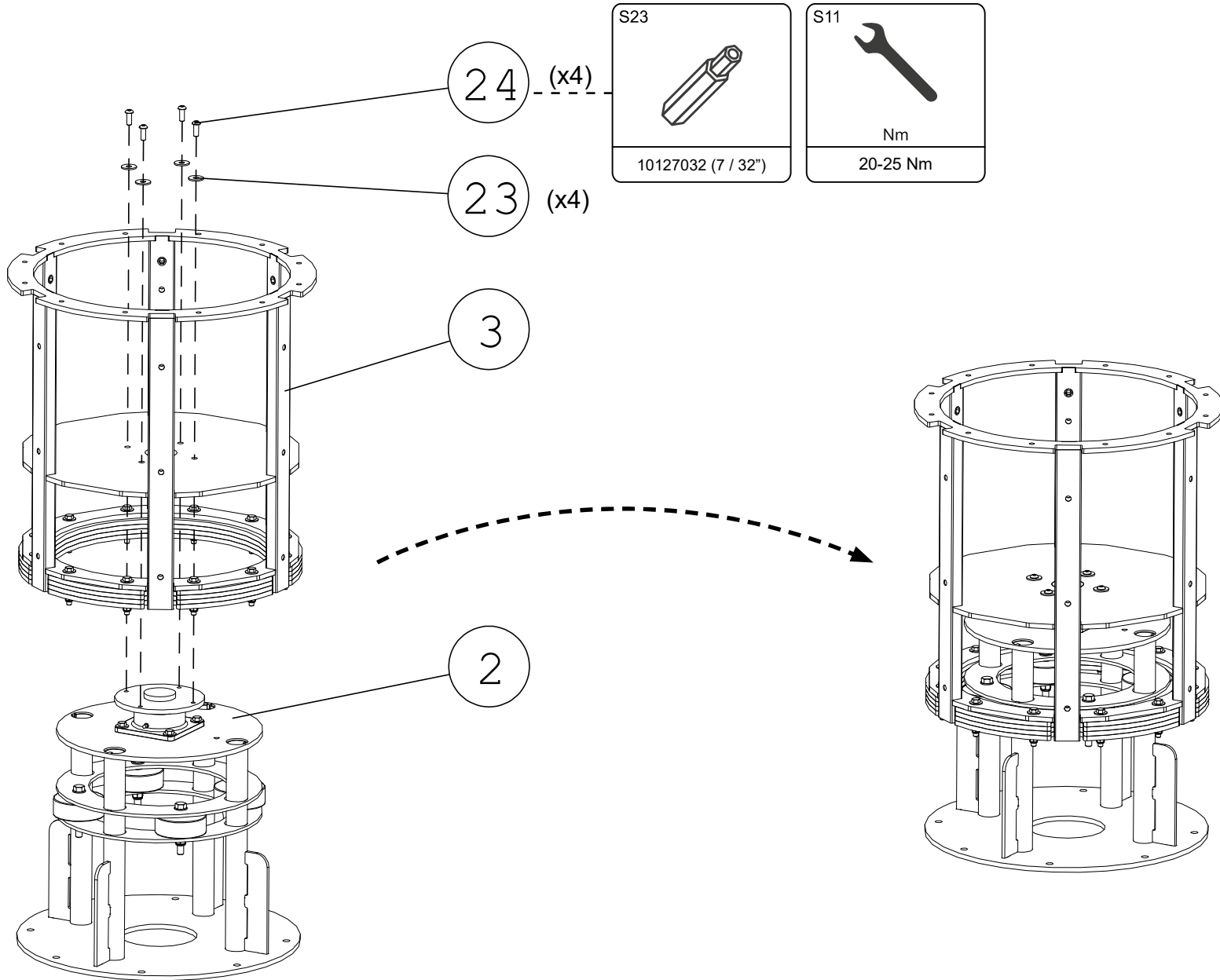
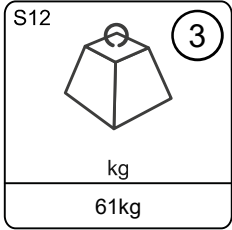
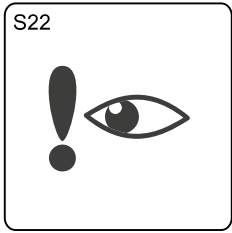


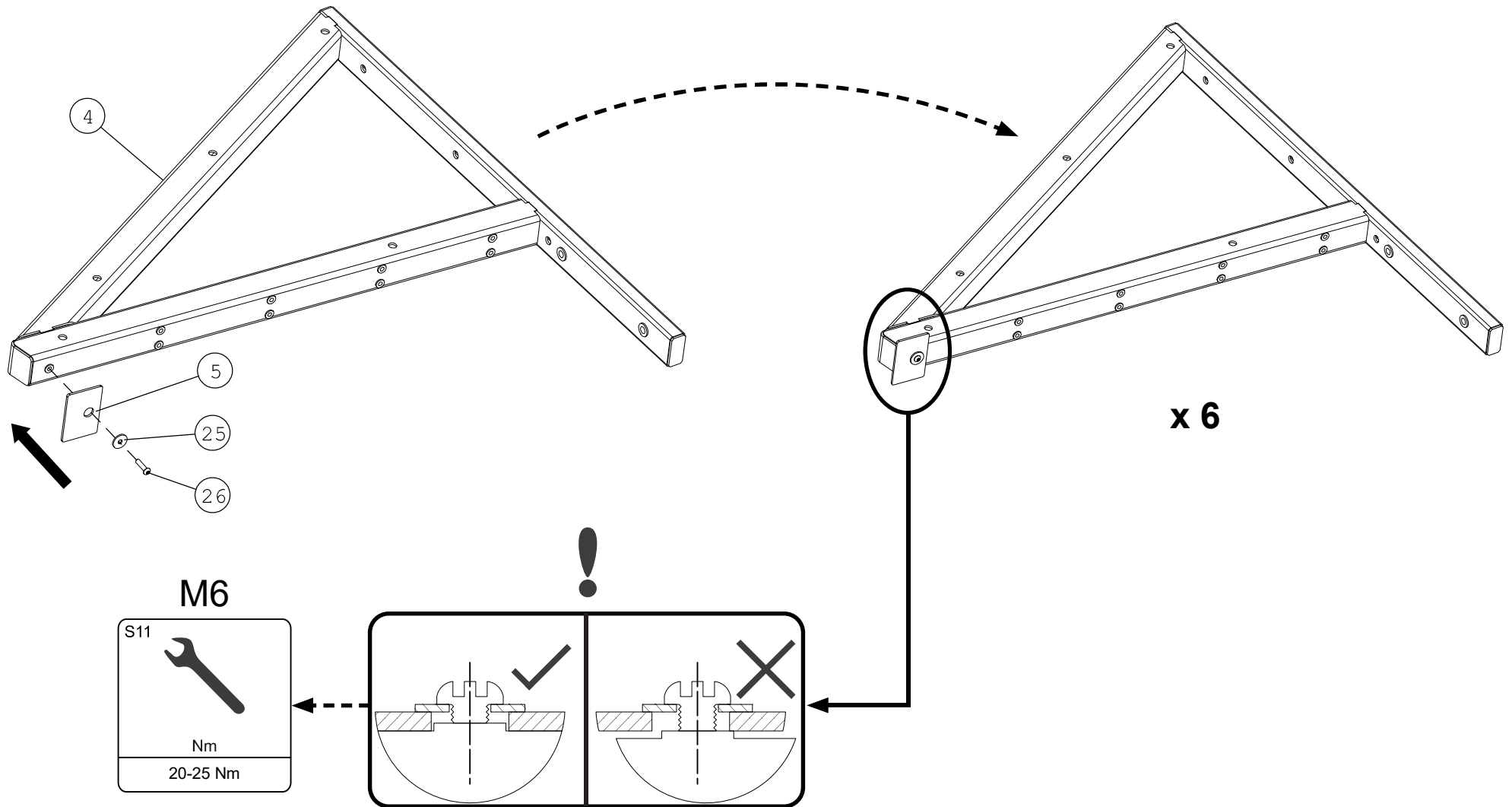
M12

S11

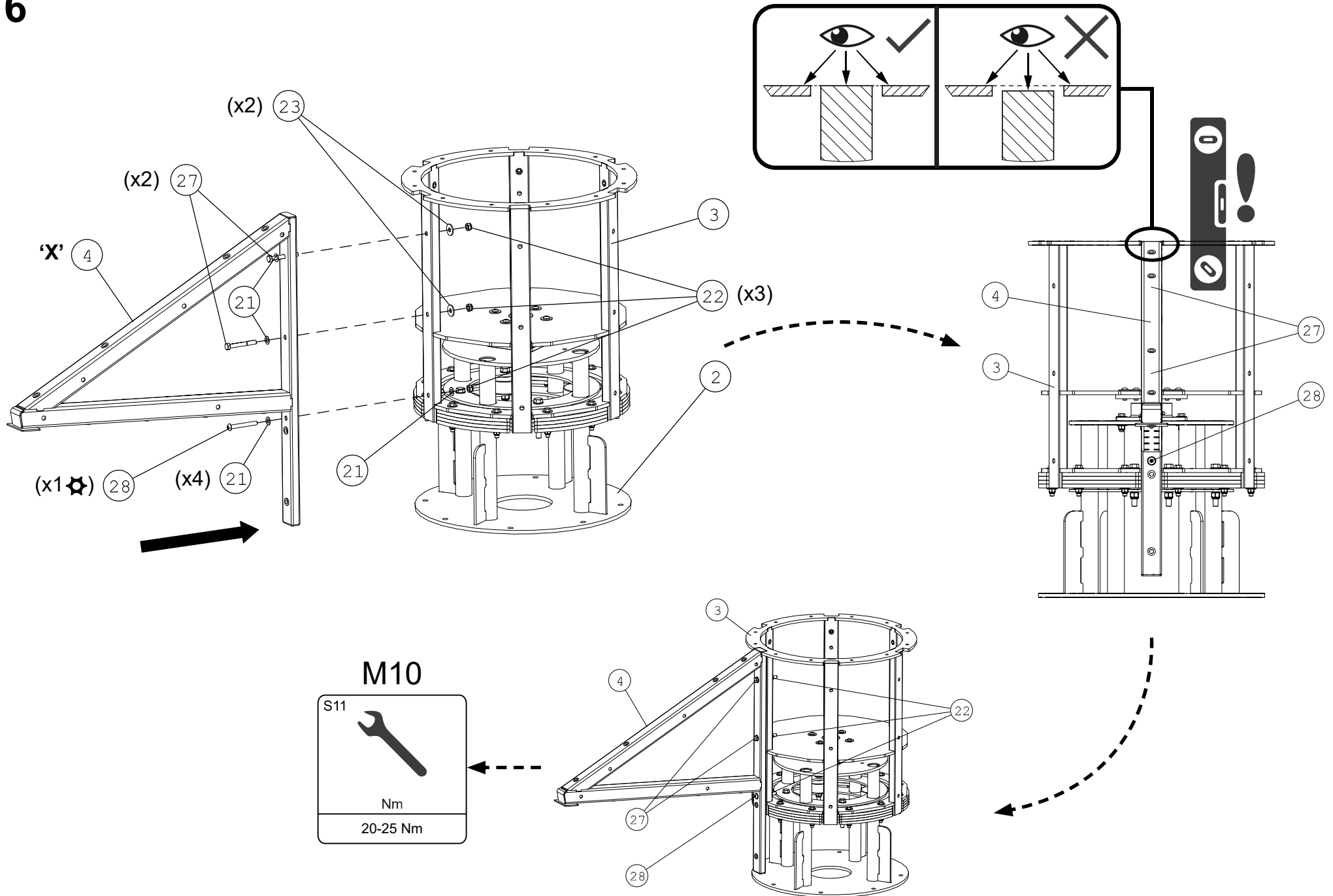
Nm
50-60 Nm

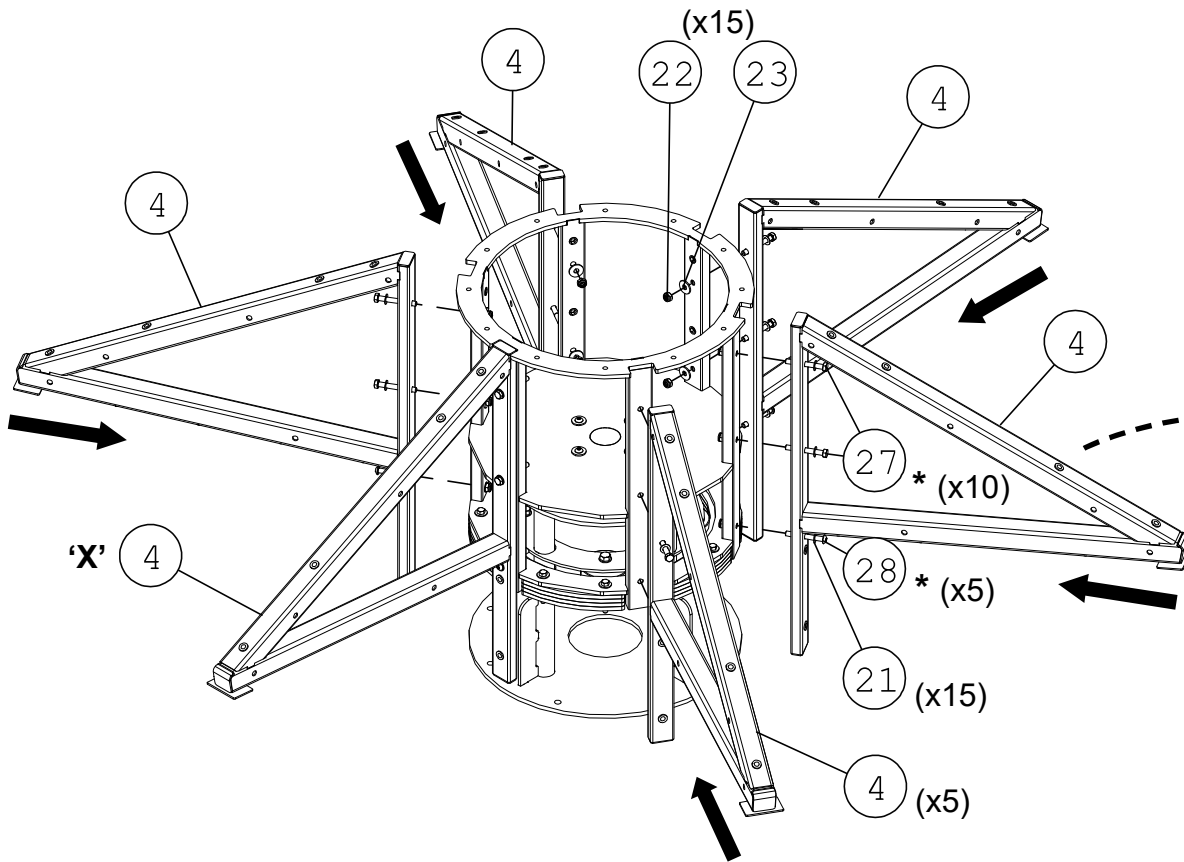
4



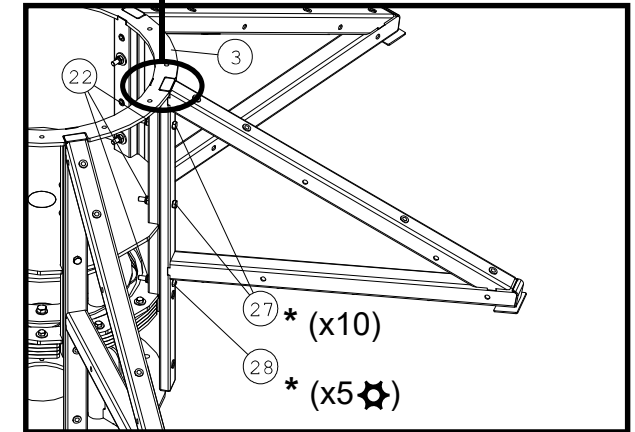
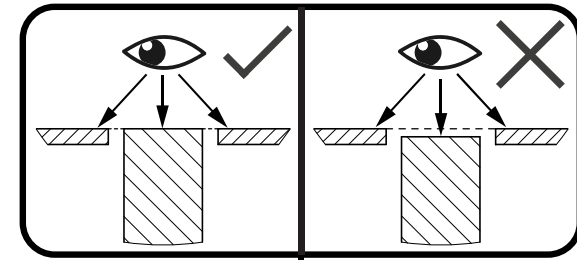


6





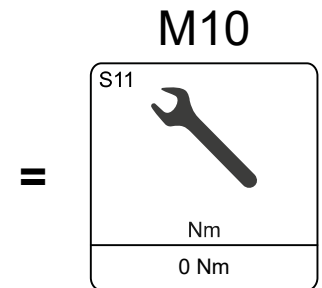
+ 5



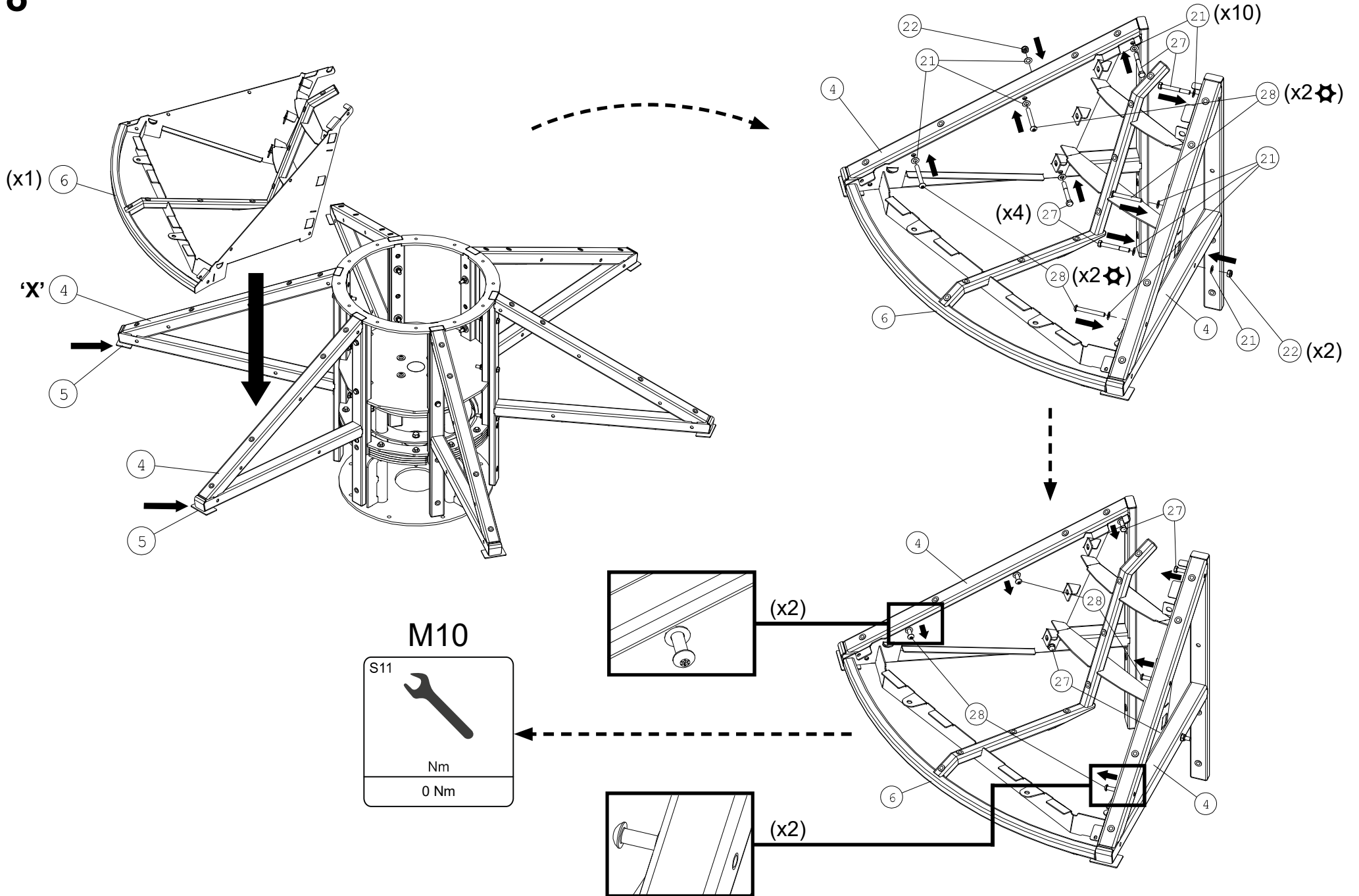
x 5

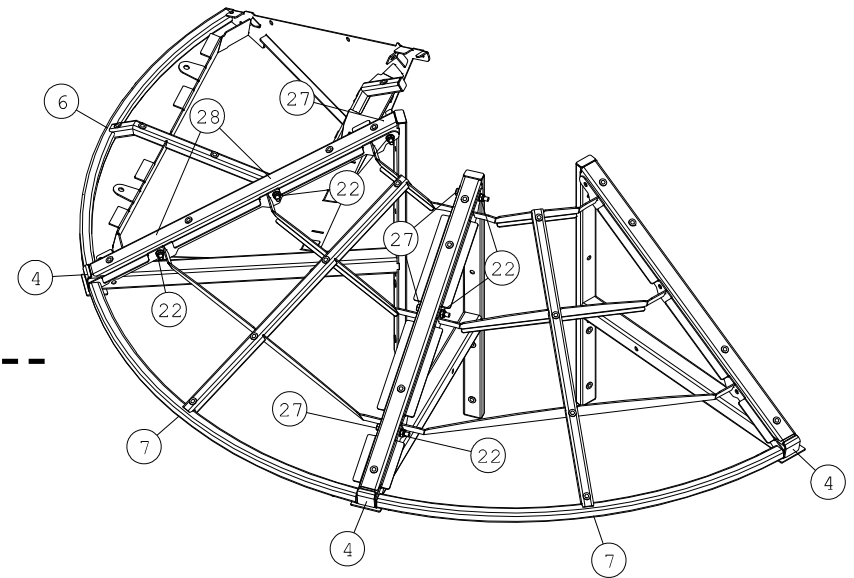
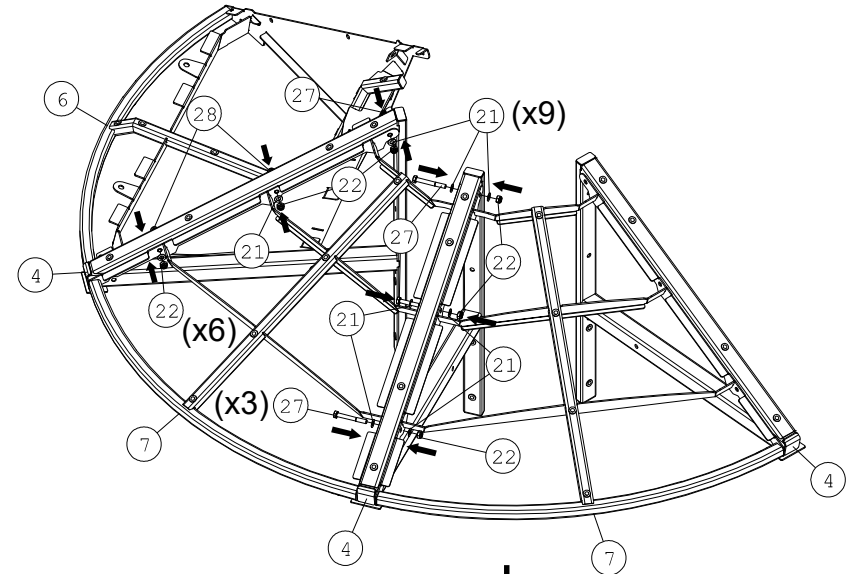
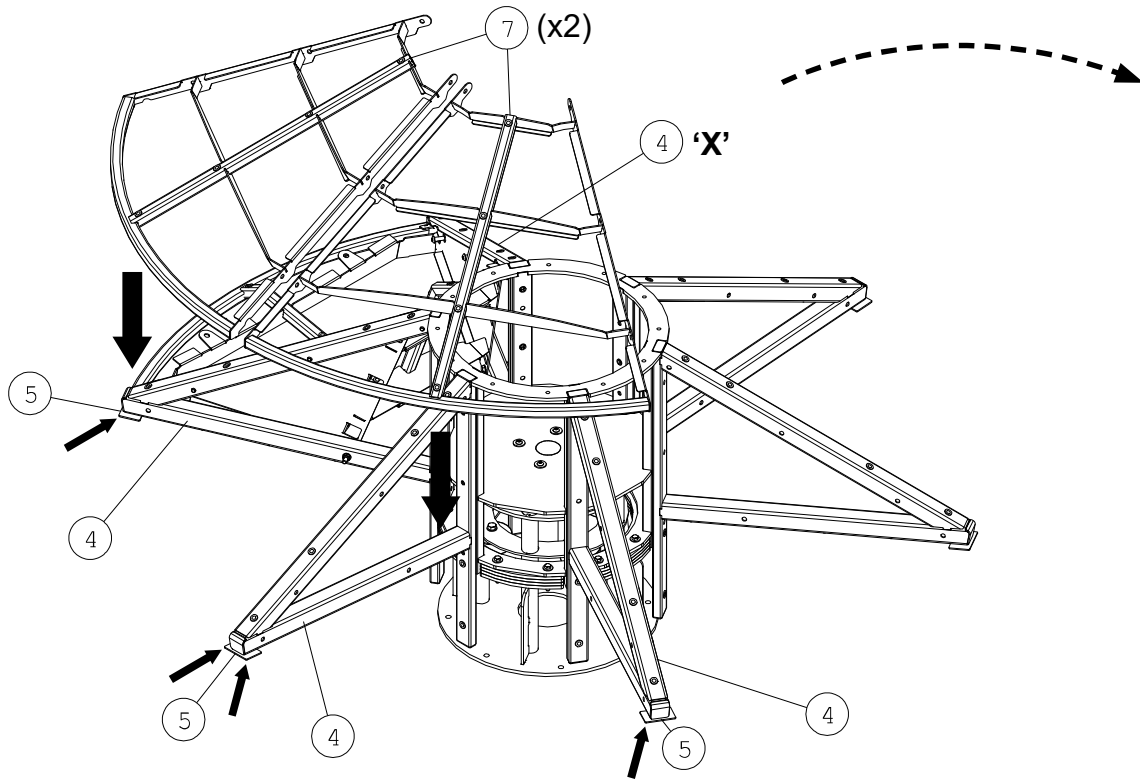
! * (27) & (28)

GB - Do Not Fully Tighten
ES - No apriete completamente
FR - Ne pas serrer complètement
DE - Nicht ganz festziehen
IT - Non serrare completamente
SE - Dra inte åt helt
PL - Nie w pełni dokręcaj




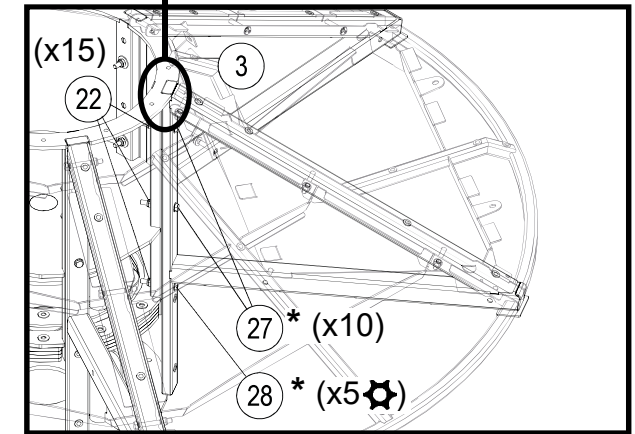
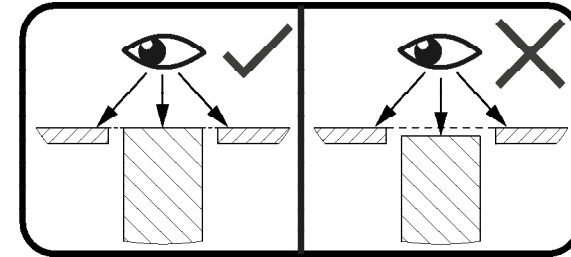
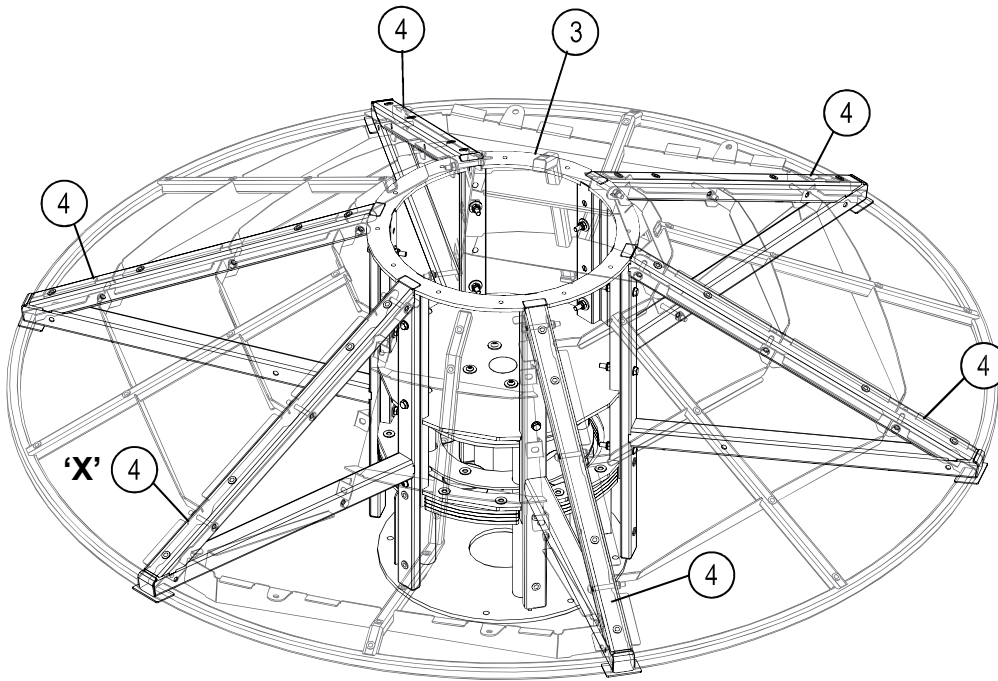
8



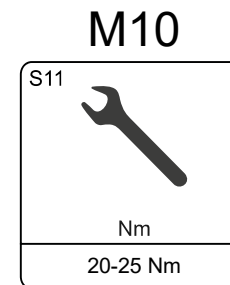


M10

S11

Nm
0 Nm



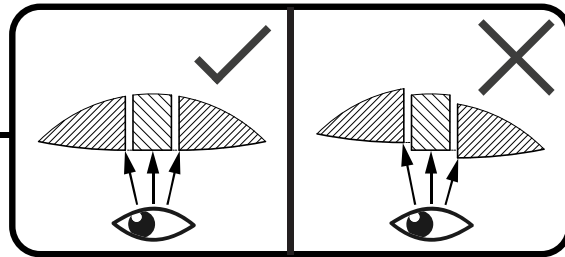
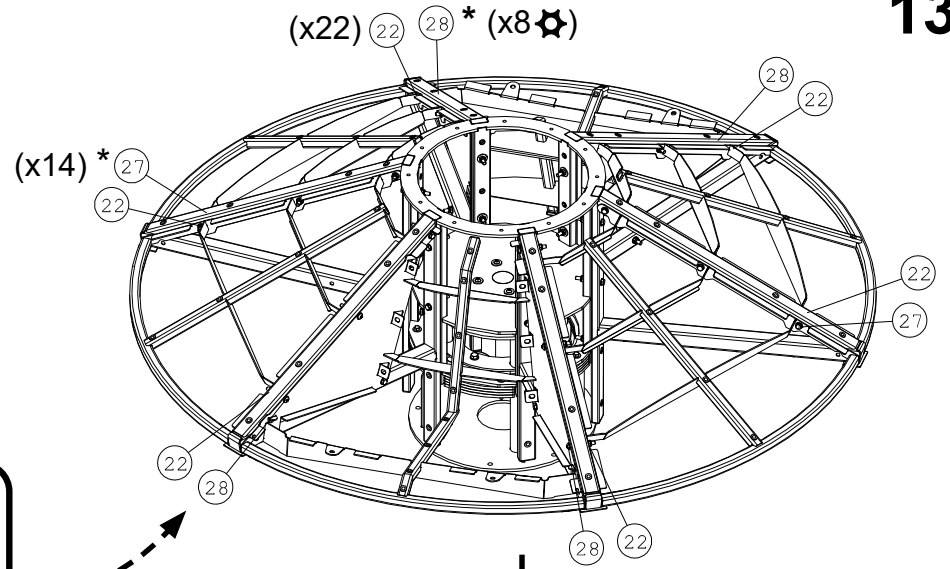
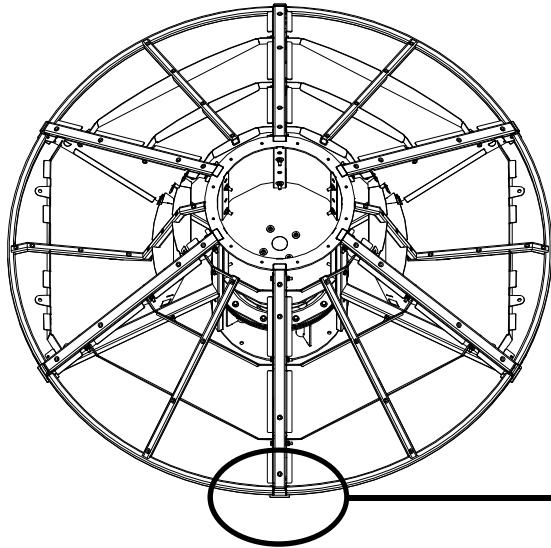
x 5



*** (27) & (28)**

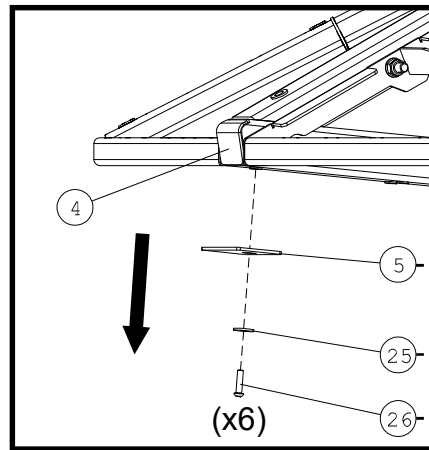
!

GB - Tighten Completely
ES - Apretar completamente
FR - Serrer complètement
DE - Ganz festziehen
IT - Stringere completamente
SE - Dra åt helt
PL - Całkowicie dokręcić

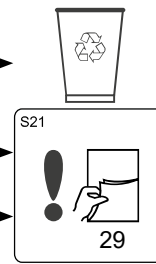


* (27) & (28)

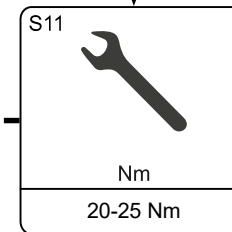
GB - Tighten Completely
ES - Apretar completamente
FR - Serrer complètement
DE - Ganz festziehen
IT - Stringere completamente
SE - Dra åt helt
PL - Całkowicie dokręcić



M6

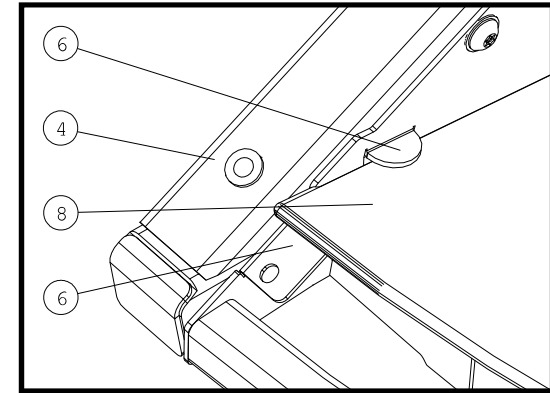
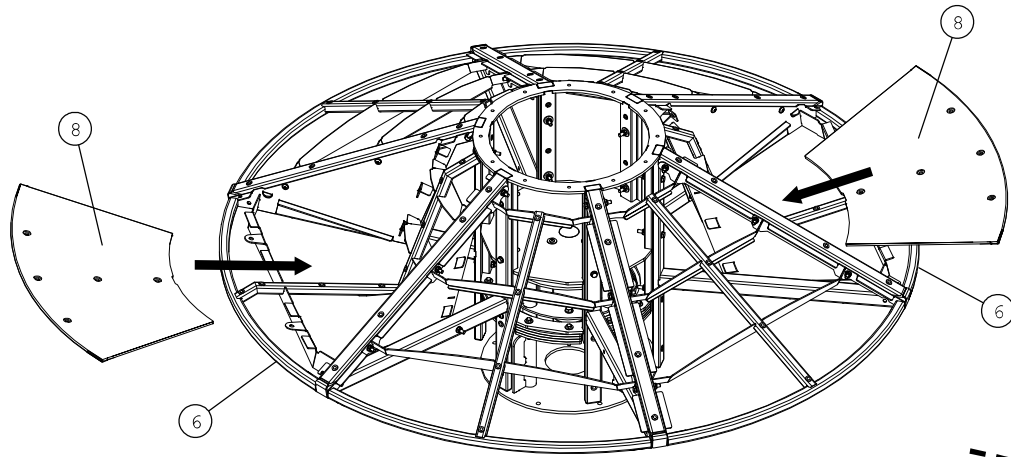


(25)



M10

Nm
20-25 Nm

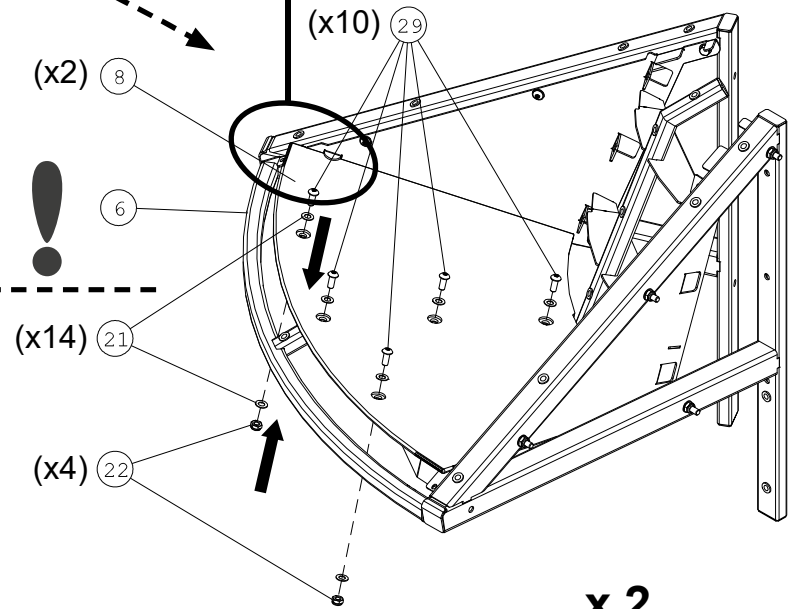
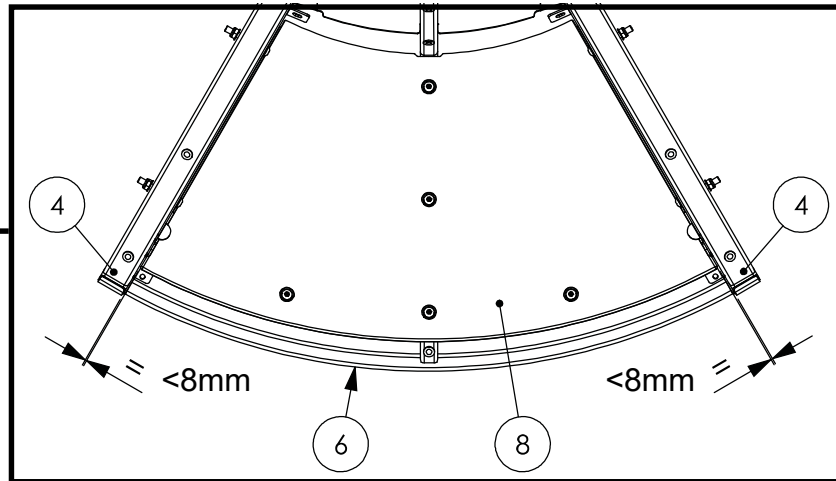


x 4

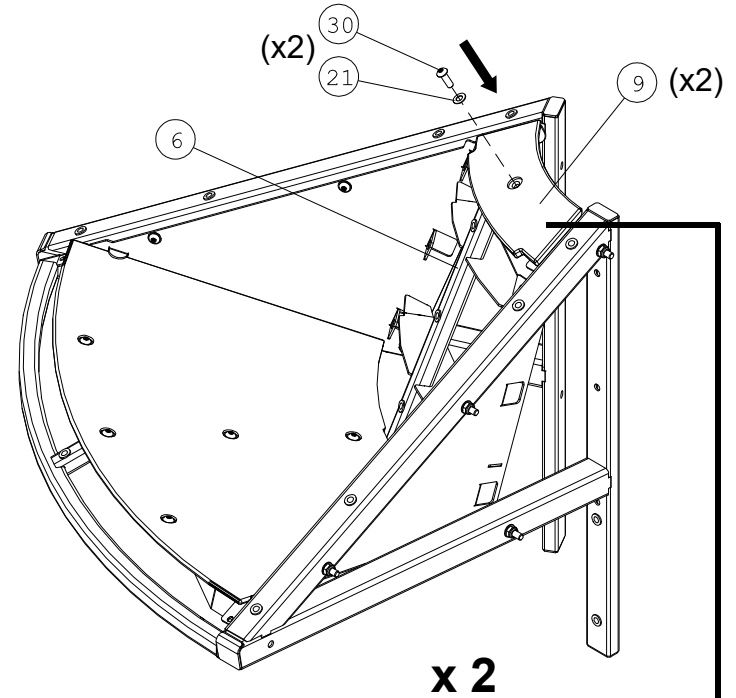
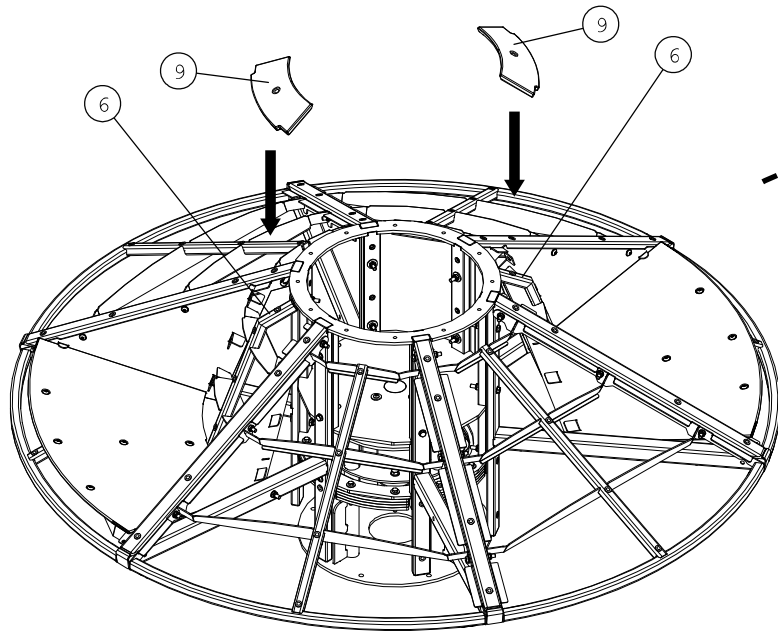
M10

S11

Nm
20-25 Nm




x 2



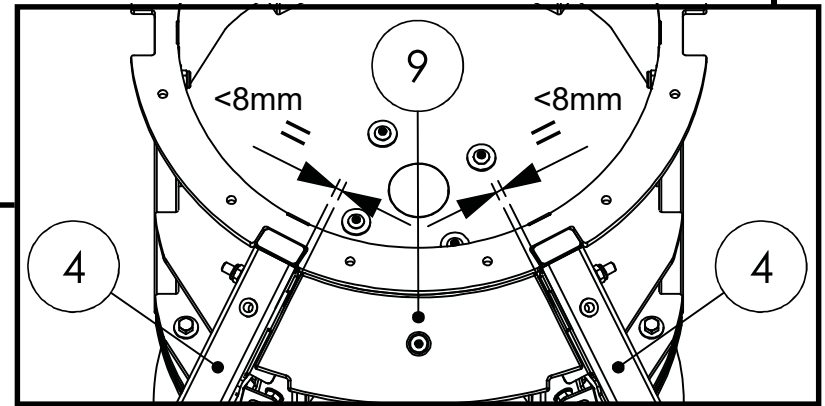
M10

S11

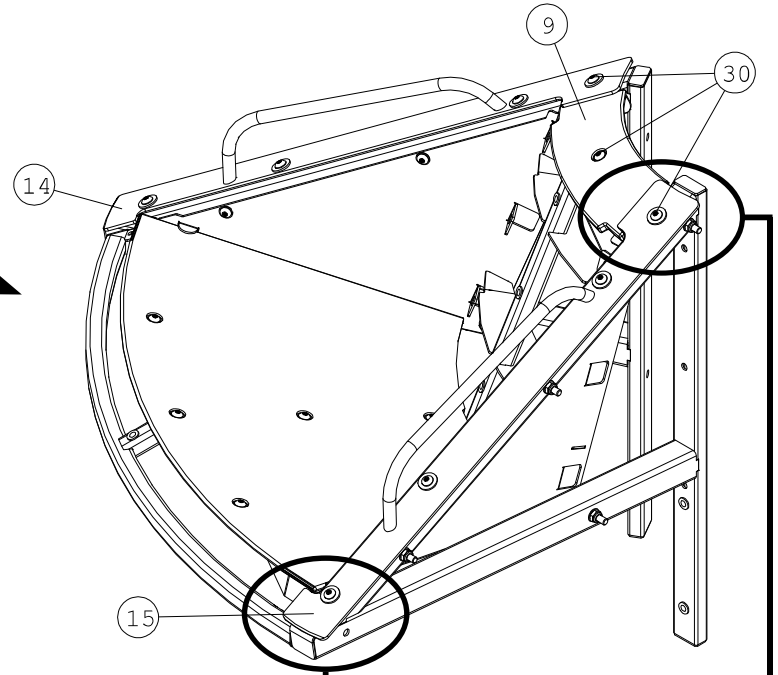
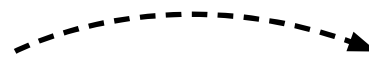
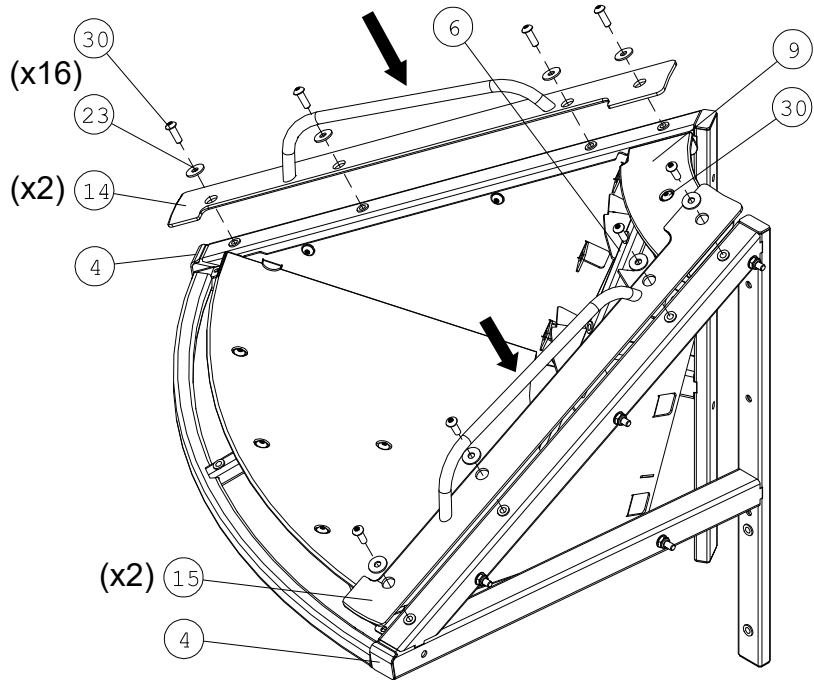


Nm

20-25 Nm

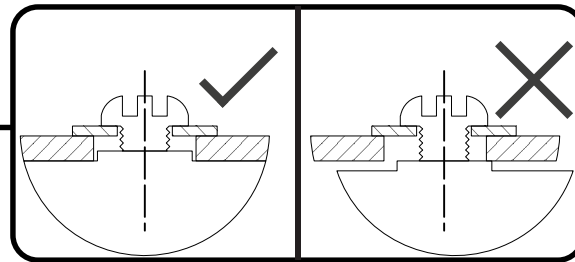
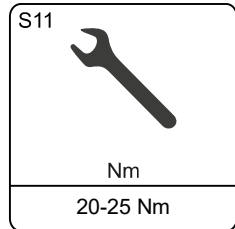


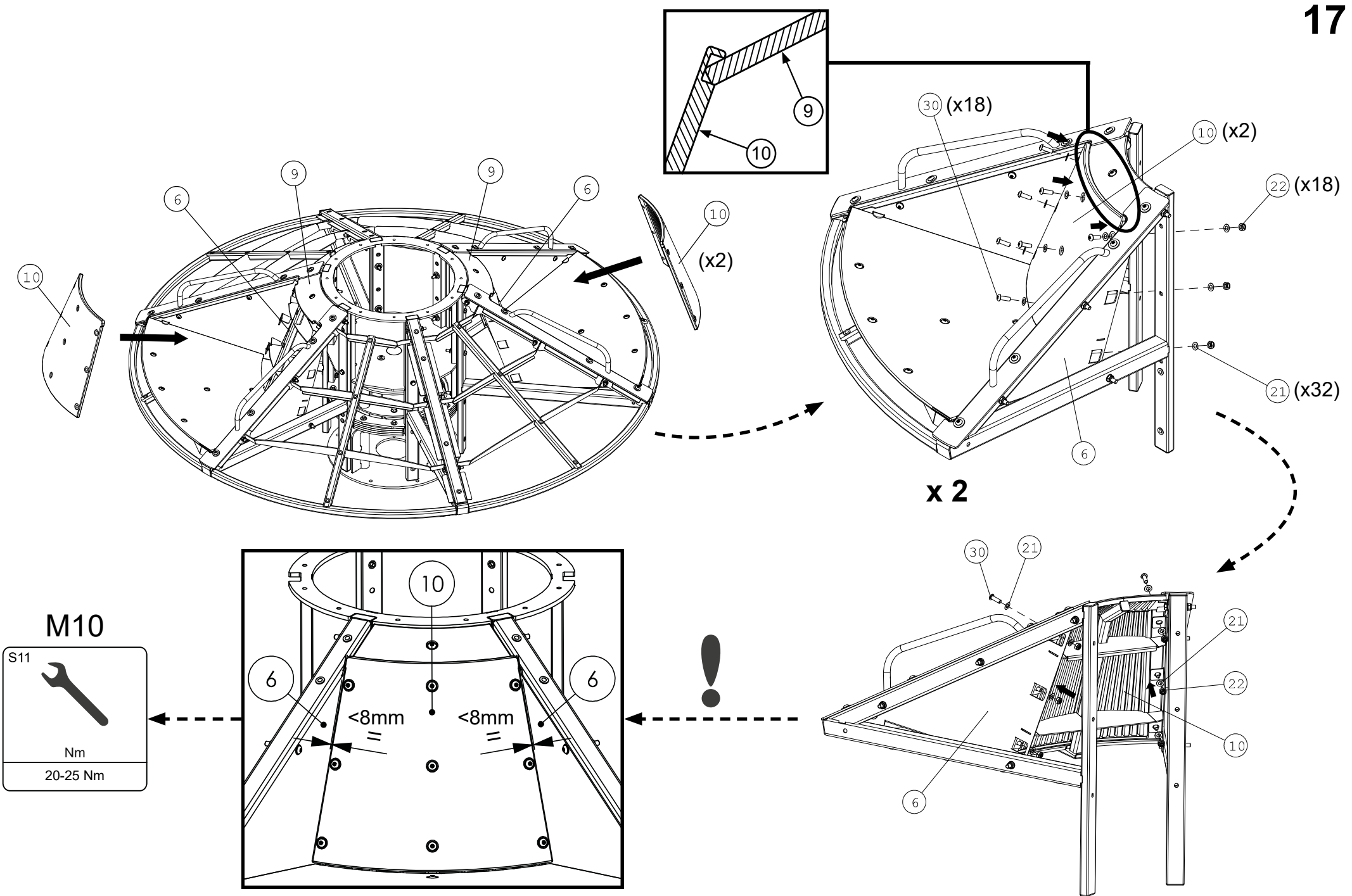
16

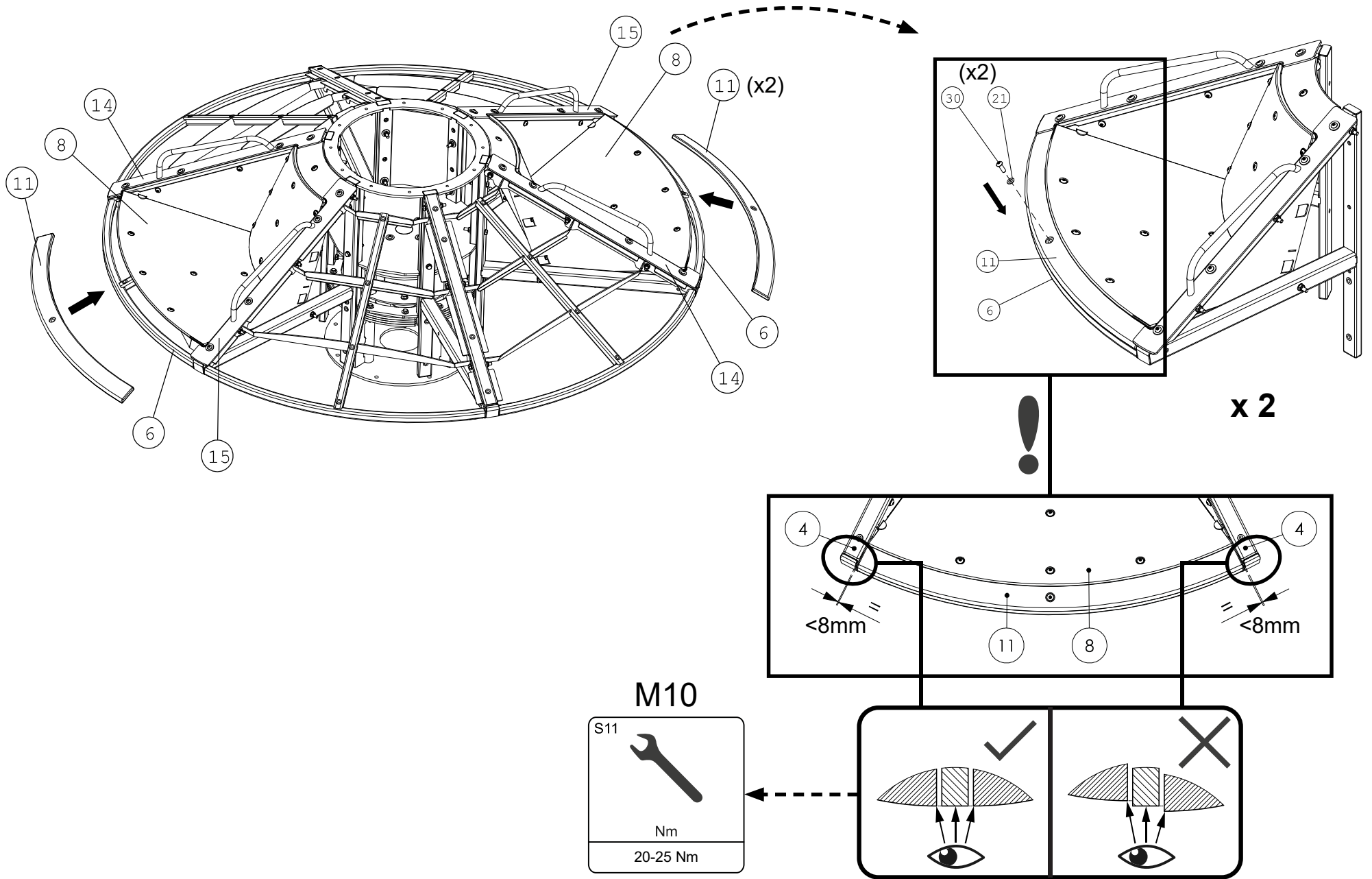


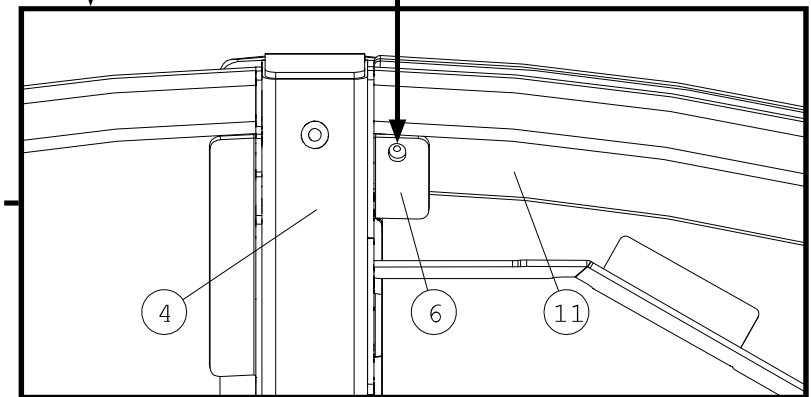
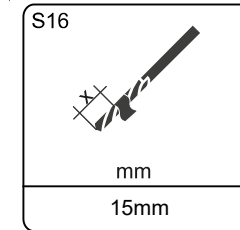
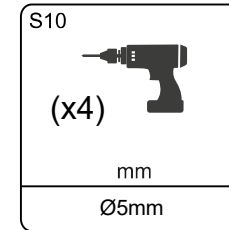
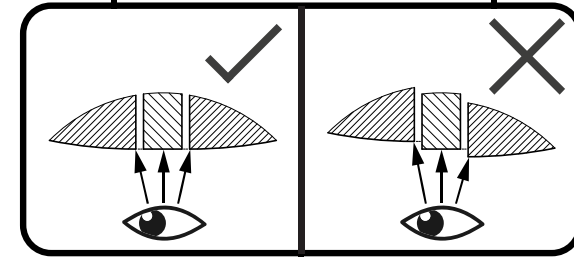
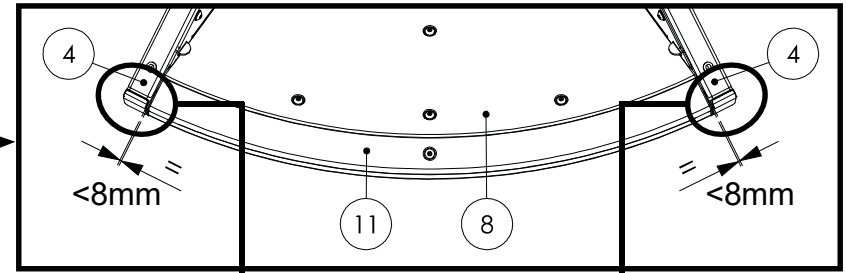
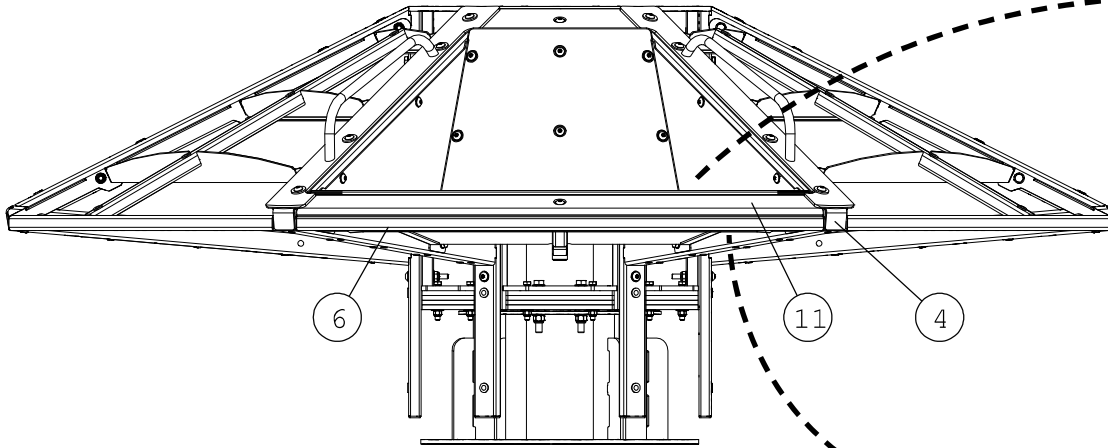
x 2

M10

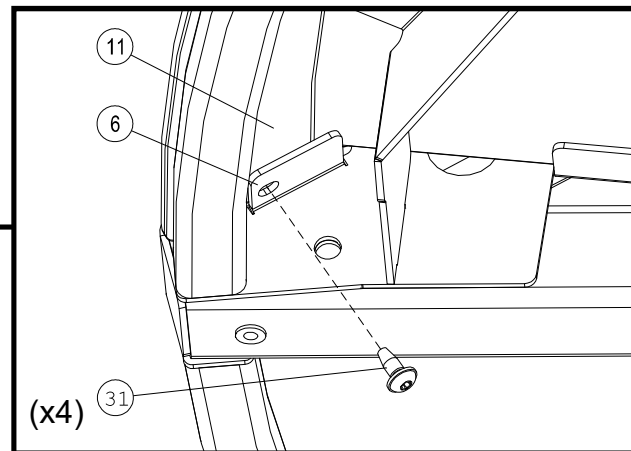
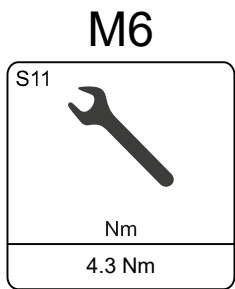


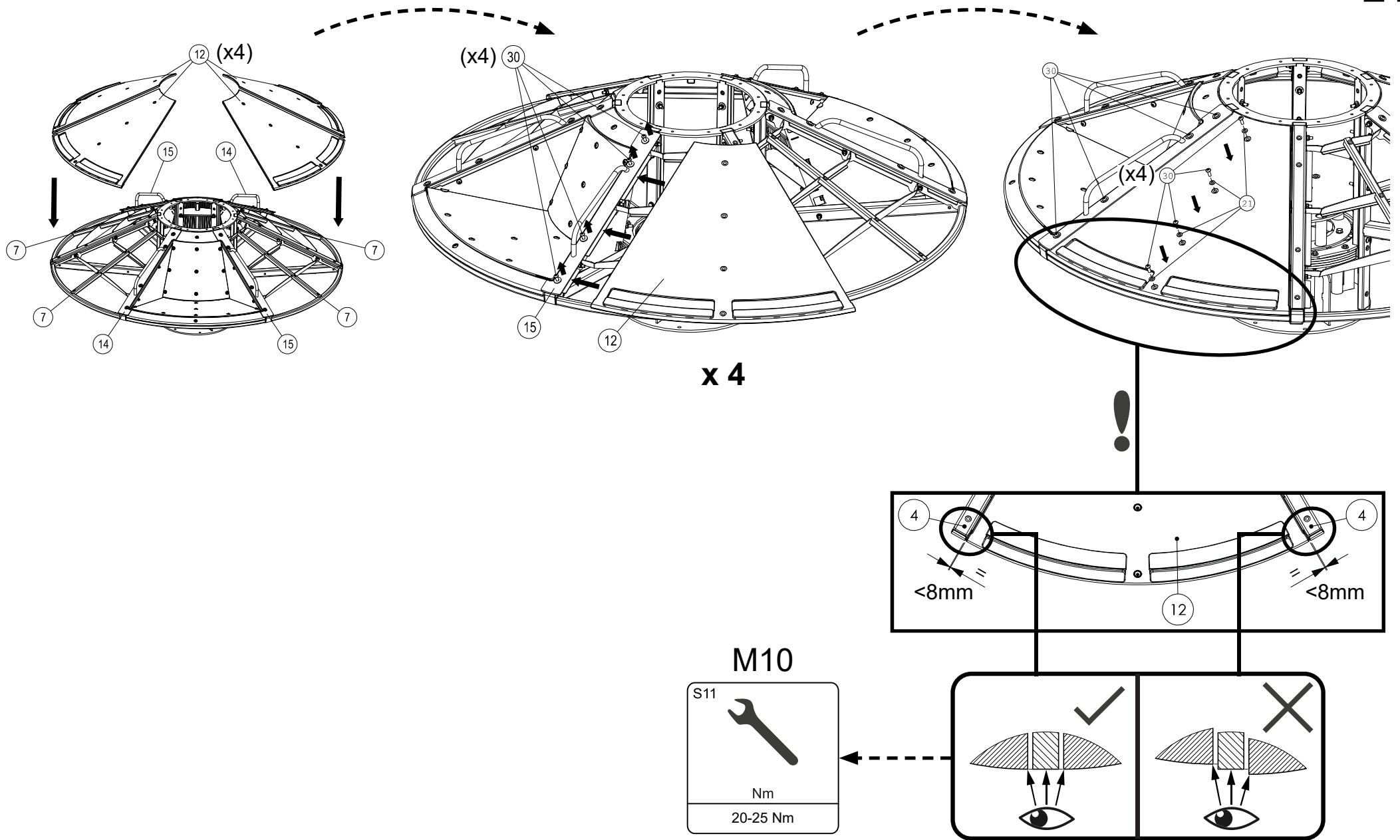


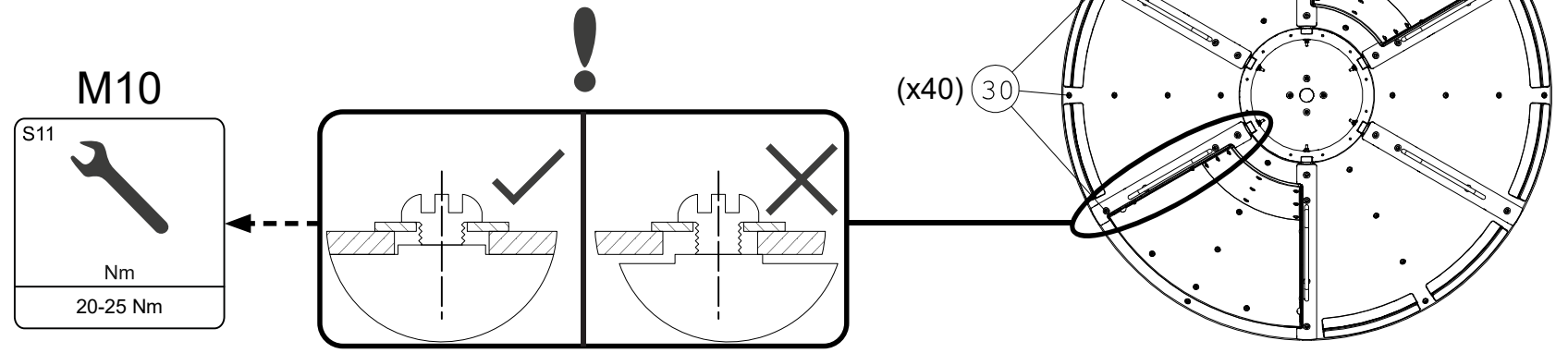
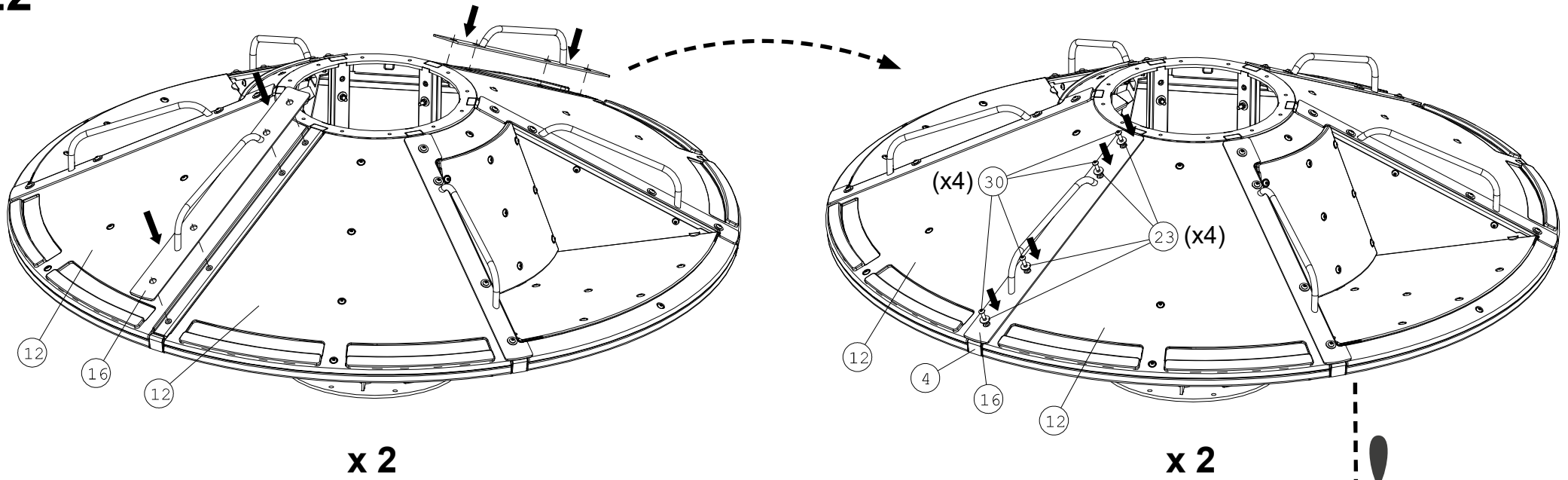




x 4



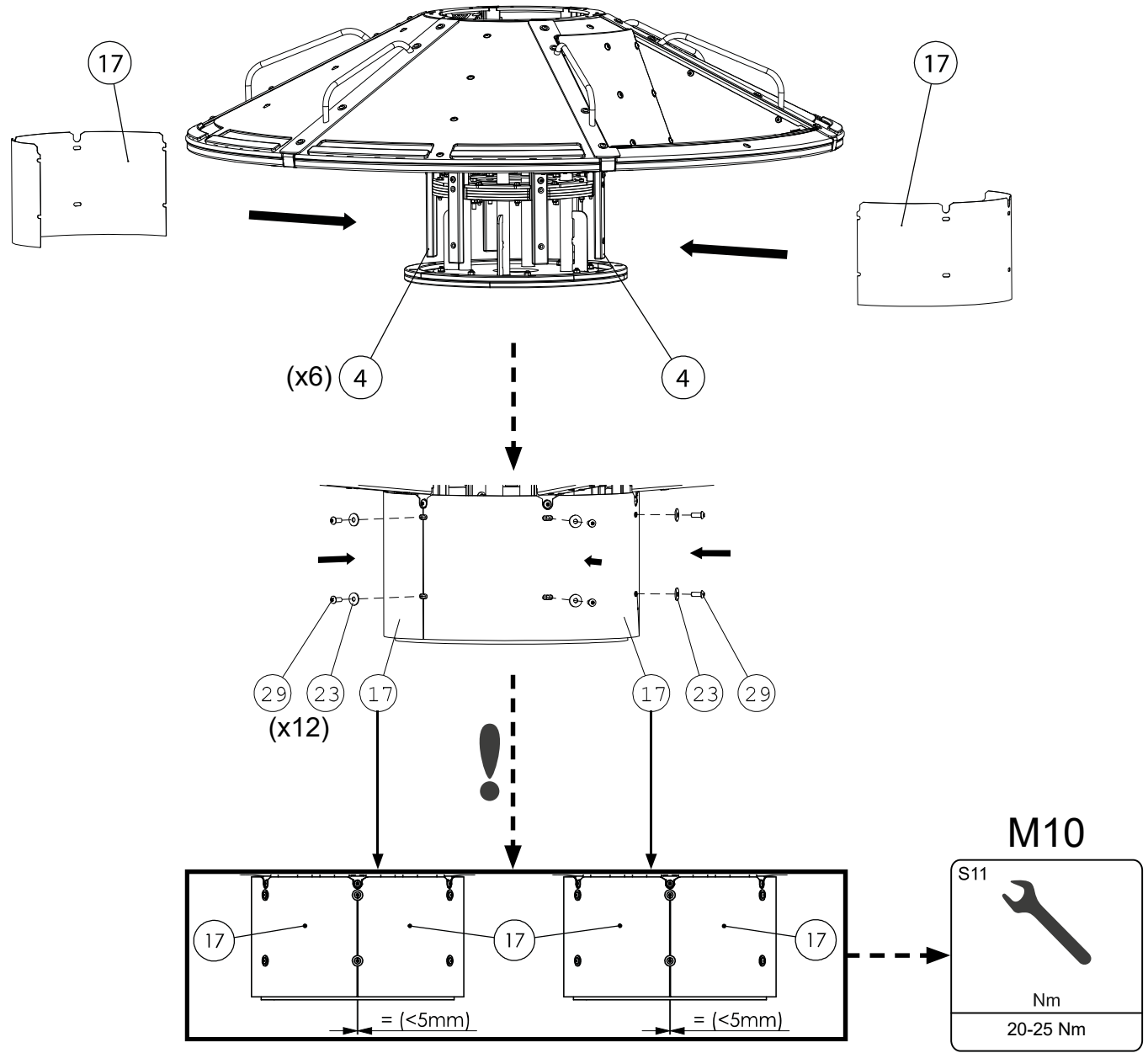


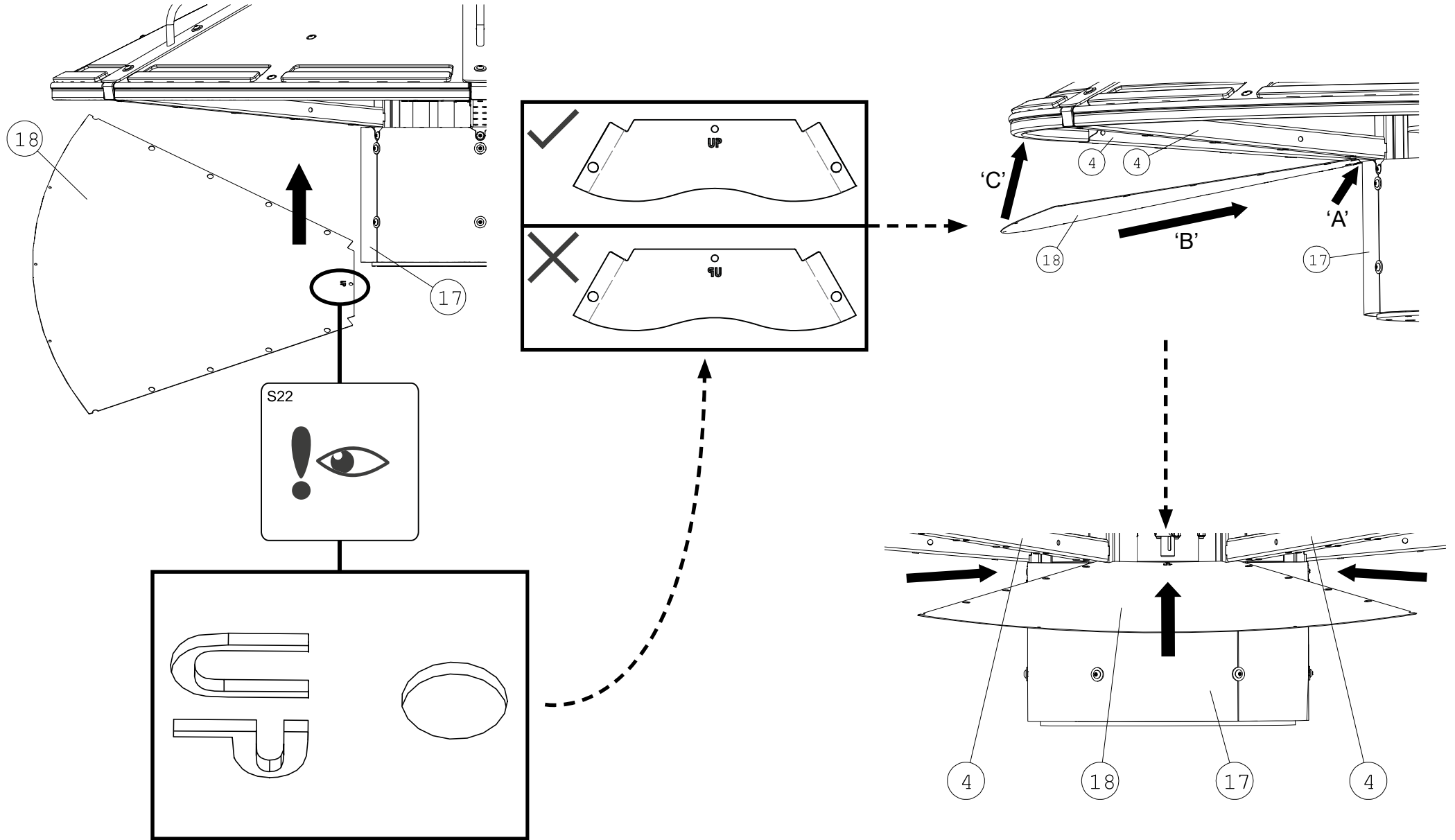


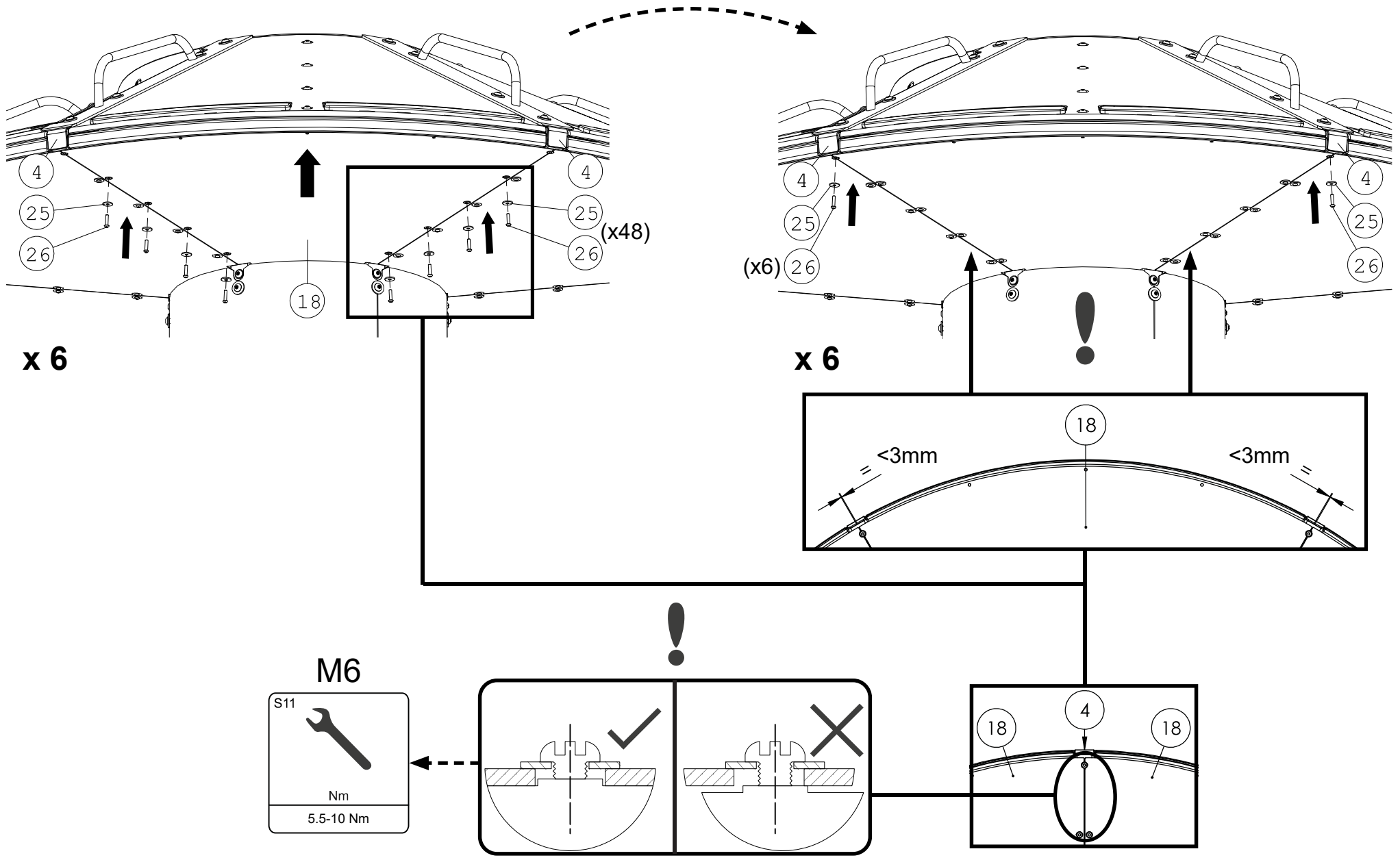
S11

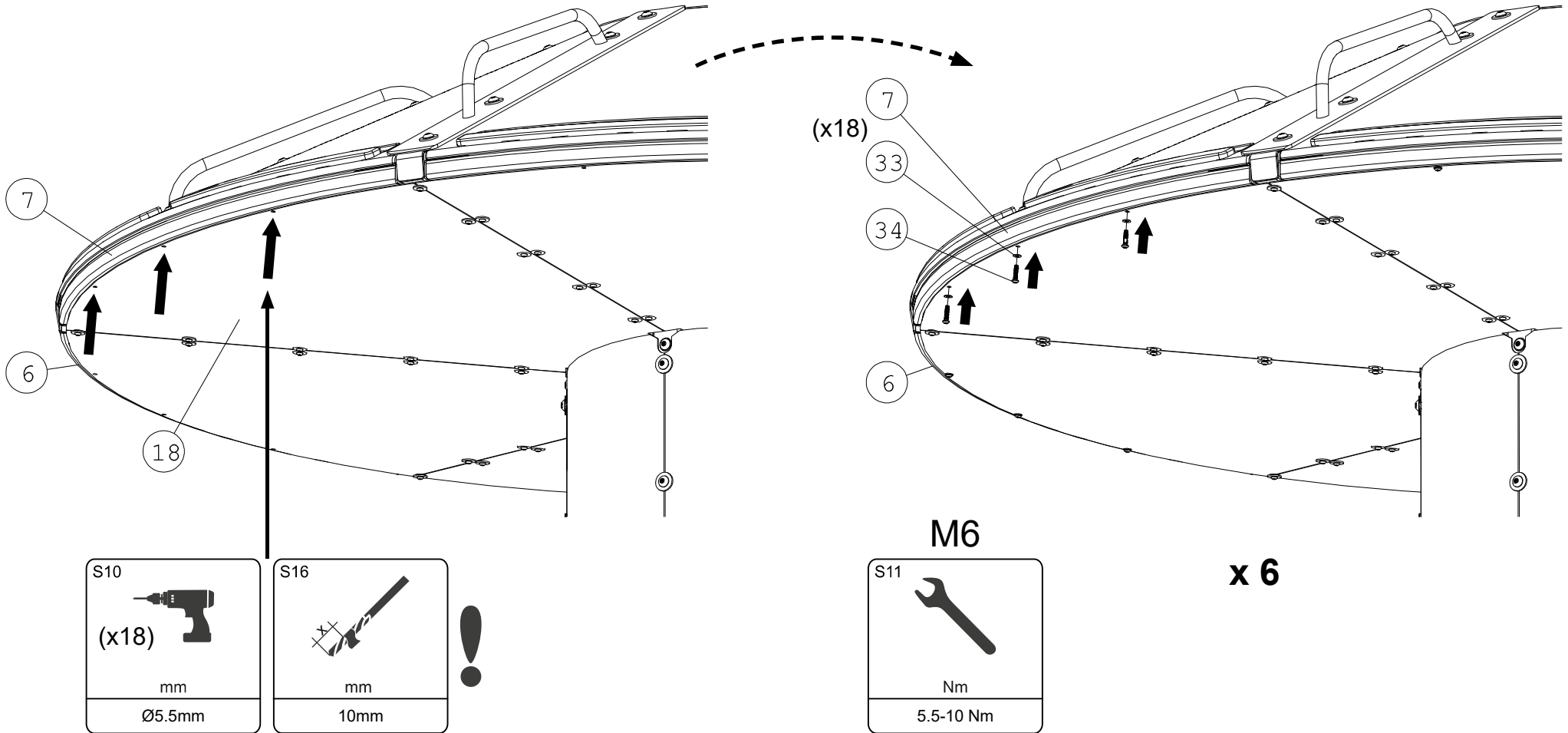
Nm

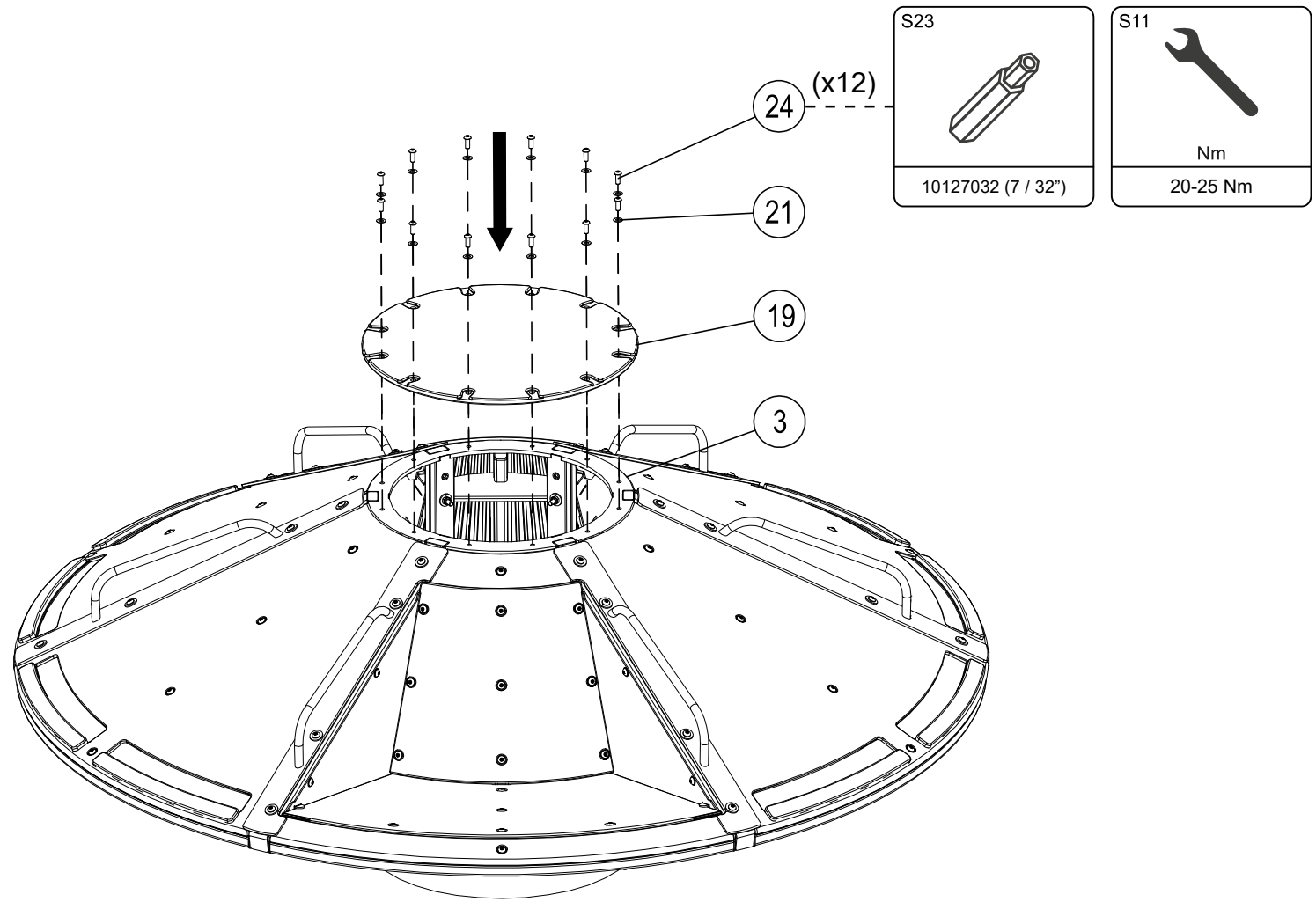
20-25 Nm











A ~ EN 1176

